

FläktGroup

AIRTREND Ltd
Predstavništvo u Beogradu
Kumanovska 14, 11000 Beograd
Tel: 011/3836886, 3085740
Faks: 011/3444113
e-mail: gobrid@eunet.rs
web: www.airtrend.rs

 AIR DIFFUSION

Flex-Geko – Comfort-Edition

FLEX-GEKO[®]

» FAN COIL UNITS





HEAT EXCHANGING

The Flex-Geko fan-coil units ensure a whisperquiet and comfortable feel-good climate at maximum energy efficiency and optimal room airtemperature distribution.

Whoever treats air must master it

World-wide leaders in heat exchangers

As an internationally active technology corporation, FläktGroup concentrates on process technology and components for demanding production processes in diverse final markets. FläktGroup is a market and technology leader in all business sectors. FläktGroup bundles all activities in the area of heat exchangers and air treatment systems and probably has the world-wide largest product range in this field. What makes FläktGroup unique and a preferred partner, is a perfect fit, reliable and sustainable solutions as a sign of the times. FläktGroup fan convectors prove our quality and innovation capability.

Decentralized air treatment with high comfort and convincing unit efficiency

Where heating, cooling, cleaning, filtering, humidification and dehumidification of air is required, FläktGroup makes its contribution to progress. Customized climate control and air treatment, with the maximum-possible reduction of energy consumption over the entire life cycle of the facilities: this all pays out handsomely in euros and cents, in comfort, and in work productivity. Our climate control solutions reliably satisfy all international standards and current statutory guidelines.

Rapid and efficient heating, cooling and ventilation with one unit

Unlike radiators and classical flat radiators, fan-coil units not only can heat rooms, but can also cool and ventilate them. FläktGroup fan-coil units offer all possibilities of a demand-controlled technology and can be employed everywhere, where comfortable warmth, cooling or air ventilation with a rapid adaptation is required. FläktGroup fan-coil units actively guide the air to be processed through the heat exchanger, whereby it is heated and cooled particularly effectively. They bring room air to the desired temperature faster, and operate with smaller heating or cooling surfaces. Their enhanced heat transfer enables lower feed temperatures during heating, and higher feed temperatures during cooling. This minimizes losses and saves energy between the boiler or the chiller and the final unit.

Your partner for air treatment

- More than 40 years of experience
- Customized air quality and a healthy, comfortable indoor climate with extremely low-noise operation and maximum energy efficiency
- With state-of-the-art technology while compliant with current legal directives
- Certified quality
- Simple system integration
- Low maintenance costs

Flex-Geko®
is suited
for every use

- Comfortable air conditioning solution
- Energy-efficient operation
- Diverse application options
- Homogeneous room air temperature distribution
- Low-noise comfort
- Intelligent control system
- Flexible mounting options



Flex-Geko satisfies
practically all wishes

GREAT PLANNING FREEDOM AND SECURITY

Because of their modular concept, Flex-Geko (Geko is a designation for fan convectors) can be employed for the most diverse applications. They heat, cool and ventilate offices, salesrooms and public facilities. Leading hotel chains gladly employ Flex-Geko because of their reliable and quiet operation. With economical operation and flexible usage options, these fan-coil units set the standard for modern and energy-efficient climate solutions.

Flex-Geko are suitable both for wall as well as for ceiling mounting. They function highly satisfactorily on a stand-alone basis with casing, or can be mounted virtually invisibly as base units with the required air outlets behind a wall or above a suspended ceiling.



The ISYteq control, which can be integrated upon request, adapts to the desired functionality. To provide the interface to the user or operator – touch control panels are available – with or without integrated timer switches. The control panels can be installed in the units themselves, or externally.

With 2-pipe units, seasonal switch-over from heating to cooling operations is possible, and vice-versa (by reversing the medium supply). The 4-pipe units additionally offer connections for heating and cooling circulation systems, and therefore allow spontaneous change-over between modes of operation. The Flex-Geko with a primary air connection can easily be combined with central air handling. The on-board available control interfaces BACnet and Modbus likewise allow uncomplicated integration into the building-services management system.

With flexible selection levels or continuously variable fans as well as valves for influencing the mass flow, the performance of the units can be optimally controlled. Adjustable air discharge grilles furthermore ensure a uniform distribution of the temperature-controlled air in the room.

- Flexible installation and installation versions
- Building integration behind wall or in suspended ceiling
- The flexible ISYteq control system adapted to the required functionality
- Connecting into the building management system using BACnet and Modbus interfaces
- Combination with other Geko or FläktGroup products is possible

The correct model for every requirement

Performance diversity and model sizes

The Flex-Geko fan coil unit already offers solid technology for many applications. The entry-level unit is suitable for user-friendly heating and/or cooling in recirculating-air operation and can be combined with various accessories. For additional technical information on the Flex-Geko, please consult our "Data & Facts".



Figure: Recirculating-air basic device without casing, ceiling model



Figure: Basic mixed-air unit without casing, wall model

Many unit configurations with various system components are possible based on a common unit platform of the Flex-Geko. Diverse accessories and control components ensure that Flex-Geko can satisfy all demands. Already the basic variant contains high-quality technology, and depending on the model offers connections for warm and/or cold water, a three-speed fan, and an air filter. Different valve types permit harmonized and precise heating or cooling. With the Flex-Geko Comfort Edition, it is possible to air condition rooms in recirculating-air or mixed-air operation especially quietly and to clean the air with fine filters. They can be equipped with additional electrical heating, and with an integrated direct evaporator, allowing a combination with outdoor split-climate units. The casing is designed for various intake and discharge versions. Flow-optimized air routing is thus guaranteed for all applications. Especially for low-energy applications such as heat pumps, for example, the Flex-Geko also offers additional heat exchanger versions which are optimized for low heating medium or high coolant temperature and small mass flows.

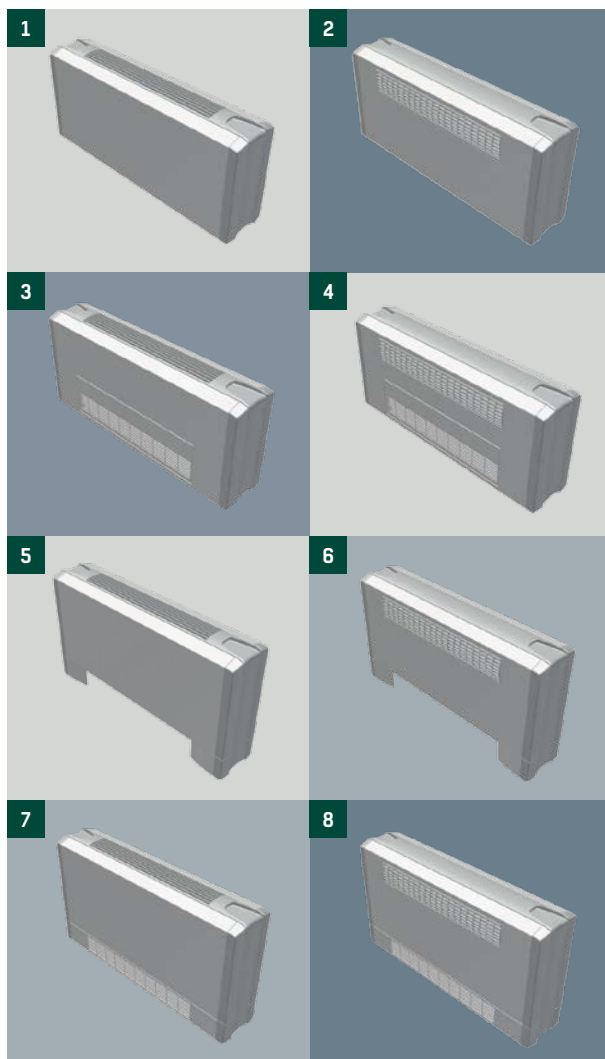
The Flex-Geko fan-coil units are available in eight different model sizes which with a casing height from 504 millimeters and a depth of 240 millimeters. Depending on the capacity, the width varies between 840 and 1,890 millimeters. The eight unit sizes permit an optimal selection of the required capacity. The heating and cooling capacities lie between 1 and 20 kilowatt ^{*)}. The air volume flow harmonized to these ratings varies between 150 and 1,800 cubic meters per hour.

^{*)} Heating PWW 70/50 °C, tL1 + 20 °C; cooling PCW 6/12 °C, tL1 + 27 °C, 46% rh.

The correct outfit for every situation

Combination versatility and flexibility

The many possible intake and discharge combinations and casing versions, the extremely quiet fans as well as the different installation options (wall, ceiling, suspended ceiling) makes Flex-Geko models something special. Flex-Geko is equipped for practically all existing spatial configurations and exceptional installation situations. The following directional designations refer to a wall installation:



1 Intake below – discharge above: about 10 cm space is required on the intake side for recirculating-air operation for wall or ceiling mounting. Casing with adjustable plastic or rigid aluminum air-discharge grille. Without feet.

2 Intake below – discharge in front: for wall or ceiling mounting, about 10 cm space is required intake-side for recirculating-air operation. Casing with adjustable plastic air-discharge grille. Without feet.

3 Intake in front – discharge above: for recirculating-air operation for wall, ceiling or floor assembly. For free installation in the room with optional back wall. Intake opening integrated with grille in casing. Casing with adjustable plastic or rigid aluminum air-discharge grille. Without feet.

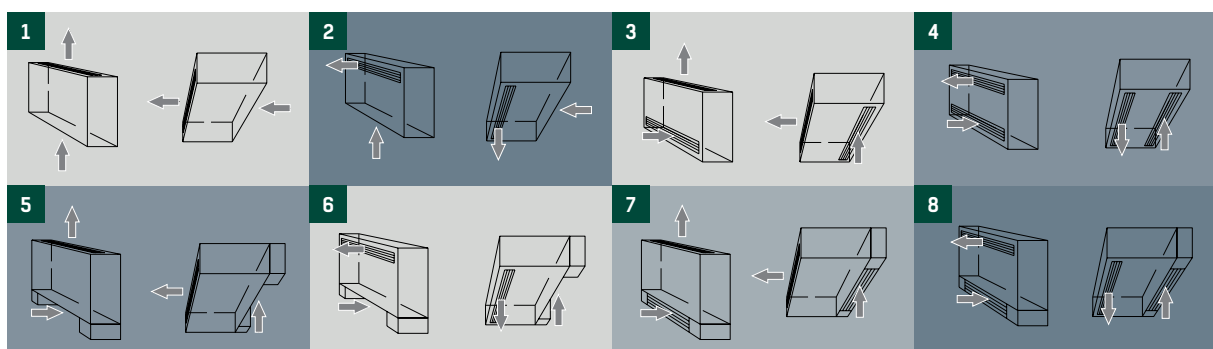
4 Intake in front – blow out in front: for recirculated-air operation for wall, ceiling or floor assembly. Intake opening integrated with grille in casing. Casing with adjustable plastic air-discharge grille. Without feet.

5 Intake below – discharge above: for recirculating-air operation for wall, ceiling or floor assembly. Intake opening without grille. Casing with adjustable plastic or rigid aluminum air-discharge grille. With unit leveling feet.

6 Intake below – blow out in front: for recirculating-air operation for wall, ceiling or floor assembly. Intake opening without grille. Casing with adjustable plastic air-discharge grille. With unit leveling feet.

7 Intake in front – discharge above: for recirculating-air and mixed-air operation for wall, ceiling and floor assembly. Recirculating-air intake opening with grille integrated in the casing. Outside air-intake opening rear-side without grille. Casing with adjustable plastic or rigid aluminum air-discharge grille. With unit leveling feet.

8 Intake in front – discharge in front: for recirculating-air and mixed-air operation for wall, ceiling and floor assembly. Recirculating-air intake opening with grille integrated in the casing. Outside air-intake opening rear-side without grille. Casing with adjustable plastic air-discharge grille. With unit leveling feet.



AIR CONDITIONING EQUIPMENT DETAILS

Your advantages at a glance

- Very high efficiency
- Up to 80% reduced electrical power consumption of the fan
- Whisper-quiet with continuously variable speed control
- Precise room temperature control
- Satisfies current ErP directives
- Tested and certified by EUROVENT
- Recirculating-air units according to VDI 6022, certified by Hygiene-Institut Hy des Ruhrgebiets



Sustainability is the keyword of our time. Investors, plant engineers, planners, and architects no longer ask “whether” but “how” they can enhance the degree of sustainability of their plants and building management systems. Buildings are unique objects. Location, size, construction quality, and – increasingly, building engineering technology – determine values and returns. Energy matters substantially gain in significance since buildings absorb about 40% of the world energy consumption and produce 21% of world-wide greenhouse gas emissions. The proportion of the energy costs in the “second rent” for users and residents is constantly increasing.

The fact that our air treatment is neither seen nor heard, although one is agreeably aware of it, and that in the meantime it avoids energy and wasteful costs, is due to our precision air-treatment work in both hardware and software.

With Flex-Geko, we have succeeded in creating a model series which convinces both under the aspect of sustainability as well as comfort. The optimal energy efficiency of the units makes a significant contribution to the conservation of valuable resources and the preservation of the environment. Decreasing operating costs simultaneously promote cost effectiveness – an advantage which rapidly pays for itself even for the smallest rooms and plants.

EC technology: high-performance, sustainable, whisper-quiet

EC fans not only ensure demand-driven air delivery and individual control possibilities. Compared to conventional AC fans, the EC motors convince with a reduced electrical power consumption of up to 80%. It always works under optimal conditions, resulting in maximum torques and minimal losses. Fan-coil units with EC technology satisfy the current ErP guidelines (Energy Related Products Directive).



TESTED AND CERTIFIED

High production quality and reproducible data are standard for our Flex-Geko. As a member of EUROVENT and the German Association of HVAC Manufacturers (RLT), our production facilities, units, and their capacities are regularly tested and monitored by independent parties.

The continuously-variable speed control of the EC fans offers a number of additional advantages. Since fan speed changes are inaudible, they are whisper-quiet in operation, and satisfy the highest demands on acoustic comfort. In addition, the room temperature control is more precise, since it can react to temperature deviations with an appropriately adapted fan speed. This is supported by using hydraulic modulating control valves. The variable fan speed control furthermore compensates fluctuating heating and cooling medium conditions, e.g. seasonally-caused variations of inlet temperatures of the heat generator or fluctuating volume flow. The ISYteq control is continuously harmonized with the EC fans and is furnished with special features and controls, for instance the continuously variable automatic operation. A speed limitation (= automatic quiet function) can be switched on. The manual operation permits individual and demand-driven control of the operating points of the Geko.

Flex-Geko
GF51.UWW1.SE0A1
www.eurovent-certification.com
NON DUCTED FAN COILS

COOLING MODE

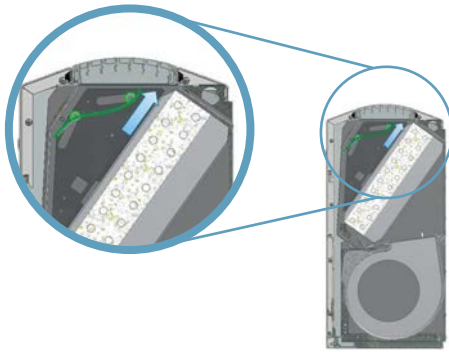
Total cooling capacity at high speed:	4.48 kW
Sensible cooling capacity at high speed:	3.55 kW

A B C D E

THRESHOLD REFERENCE SCALE YEAR : 2014

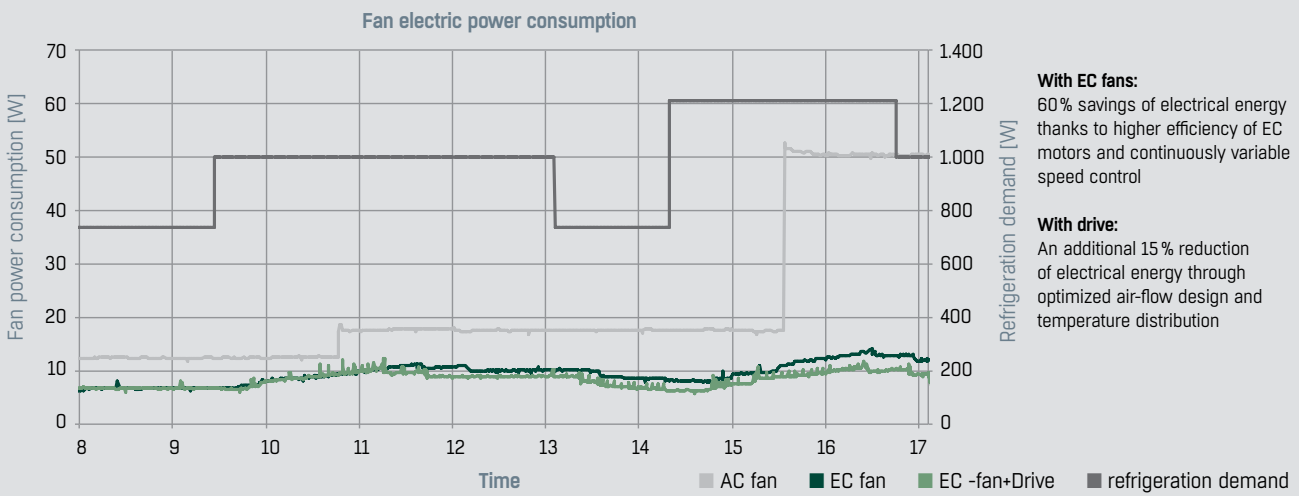
Approved: 07/09/2013

For maximum comfort and efficiency

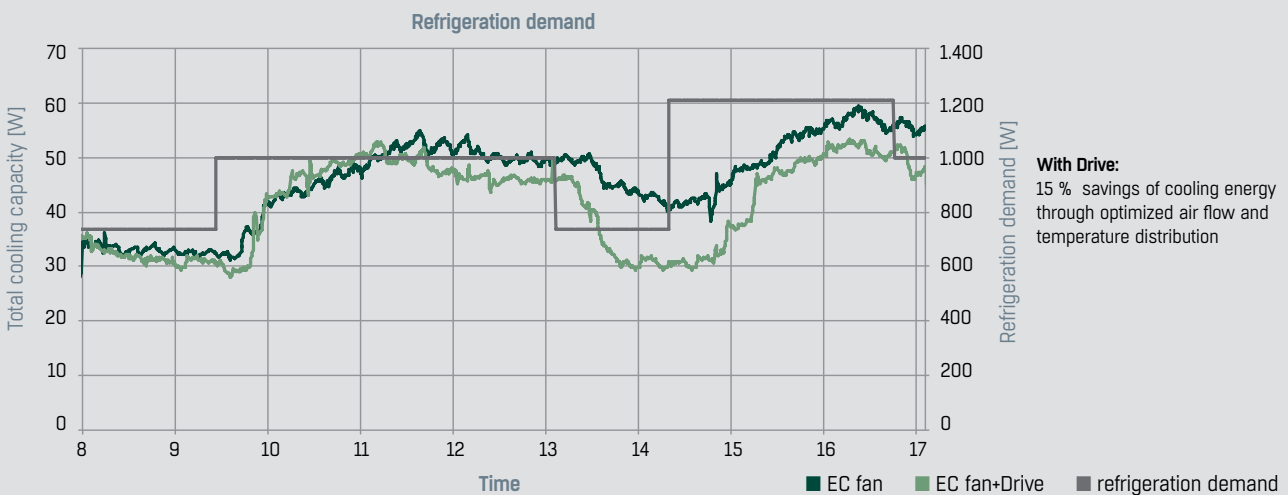


Drive is an innovative, motor-controlled discharge profile for optimizing the air velocity and air throw in cooling operation. Depending on the speed of the fan and the supply and room temperatures, Drive ensures an improved room air flow and a more uniform room air temperature distribution. The favorable air-flow profile of the drive achieves an optimal leaving-air cross-section even at lowest fan speed.

Reduction of electrical energy with EC fans and Drive



Reduction of cooling energy with Drive



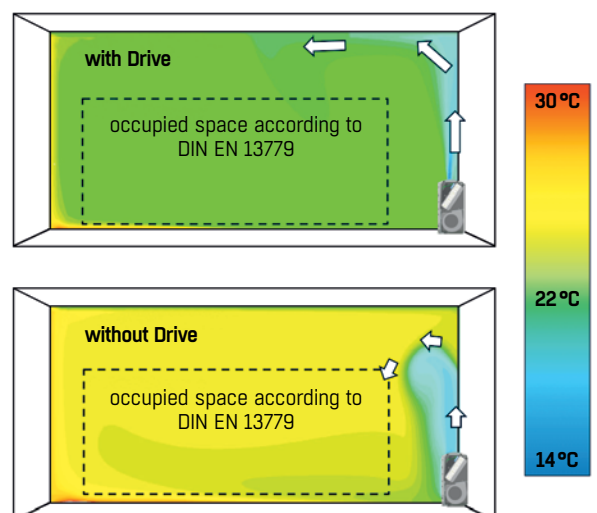


EXAMPLE OF COOLING OPERATION (partial load)

Conference room	30 m ²
Supply-air temperature	14 °C
Flex-Geko	Model size 3
Volume flow	300 m ³ /h (35 %)
Internal loads	25 W/m ²

CFD computational fluid dynamics

Because of the small cooling capacity required, low speeds of the unit's fan are automatically selected in partial-load range. But in order to achieve an optimal leaving-air velocity and room air distribution without increasing the speed, the Drive Comfort Control now ensures a continuously-controlled reduction of the leaving-air cross-section. The velocity of the air jet is thus increased without increasing the speed, and the air jet moves smoothly along the wall and ceiling (Coanda effect). This leads to a considerably increased penetration depth into the room. The noticeable result is increased comfort with perfect temperature and velocity distribution in the occupied zone, as well as great acoustic comfort due to the low speeds of the fan.



SIMPLY INTELLIGENTLY REGULATED ISYTEQ CONTROLS



Comprehensive control possibilities:

- Control system for EC & AC fans
- Energy-optimized equipment operation
- Equipment ready to operate and highly competent service
- Plug-and-play functionality
- Modbus RTU and TCP/IP always on board
- BACnet MSTP and TCP/IP always on board
- On Board Webserver (PC/Smartphone/Tablet control)
- Several digital and analogue interface function for all customer requirements

INNOVATIVE TECHNOLOGY WITH INTUITIVE USER INTERFACE

Upon request, the proven ISYteq intelligent control system will be integrated into the Flex-Geko fan-coil unit at the factory. Thus only completely tested equipment will be supplied to your construction site.

The user can optimally match the Flex-Geko units to the required functions: either by means of the control panel with a touchscreen, or by the USB socket and an external notebook. The system acquires a wide range of measured values and continuously monitors them, to assure safe and reliable operation.

Using the control panel with the new HMI touchdisplay, which resembles a modern smartphone, enables the user to access the most important functions. The functional handling of the new control interface creates a completely new perspective for the unit operation, events and settings. The user can select between 4 functional profiles. As a result, setpoint values and switching times can be very quickly and easily entered, and current actual values and messages can be simply visualized and read off.

ISYteq furthermore ensures energy-optimised operation of Flex-Geko fan coil units. A coordinated switchover function, for example, prevents heating and cooling circulation systems from working against each other. Hardware and software are developed entirely at FläktGroup. As a result of close collaboration in the company, our engineers can systematically adjust the control system to match every component – and in turn optimally exploit the possibilities of fan coil units. Service and support also benefit from this arrangement, and can rapidly and competently react whenever questions arise.

ISYteq system control

There are several open protocols routinely available for the connection to an external building automation system. The two interfaces BACnet and Modbus are always on board as standards and must not be supplemented by add-on modules. This enables the easy and cost-efficient integration in the building automation. The Ethernet interface with an integrated Webserver is suitable for the integration in a local network (LAN) . This enables a very simple and clear access with the PC, tablet or smartphone.

Controls panels

ISYteq system controls



ISYteq Touch 4.0

- 4.3" Touch Panel as a high-end solution
- Graphical and multilingual interface
- Timer is included
- 2 different designs possible:
Hotel and Business layout
- Available with white or black frame
- LED bar for additional user experience
- Horizontal or vertical installation
- Temperature and humidity sensor
- On-wall and in-wall installation
- Non-Browser panel
(Modbus communication)



ISYteq LCD LW

- Modern cost-efficient design
- Control panel with LCD in protection class IP20
- 7 soft touch buttons for the user navigation
- For wall mounting with a black frame
- Display of alarms
- Temperature sensor is always included



ISYteq CET.ACEC

- White casing in white RAL 9016
- Rotary switch is used for setpoints
- Relative setpoint shift is enabled
- Rotary switch provides 3-stage fan and automatic mode
- Digital inputs for window contact, heating/cooling changeover, economy mode
- Analog inputs for room temperature and inlet temperature
- ModbusRTU is included
- Temperature sensor is always included
- Room frost protection

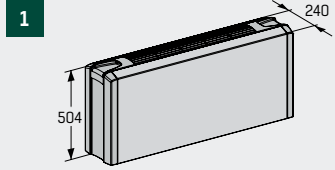
Recirculating air cooling and heating

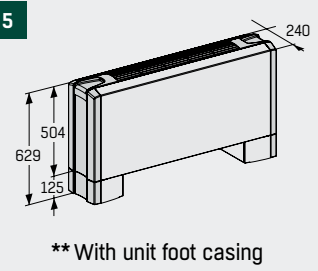
Flex-Geko®

2-pipe system – chilled water / warm water

Model size	Speed	Air flow rate	PCW	Heating capacity PWW	Electric heating	Sound pressure level* and motor capacity						Max. dimensions and weights without unit casing and without foot	
												Height	Depth
						471 mm	228 mm						
1 ... 8	1 ... 5	m³/h	kW	kW	-	AC motor			EC motor			Width	Weight
1	min.	150	1.0	1.7	-	21 dB(A)	14 W	0.14 A	20 dB(A)	4 W	0.05 A	761 mm	17 kg
	max.	530	3.0	5.5	-	50 dB(A)	63 W	0.28 A	50 dB(A)	37 W	0.31 A		
2	min.	160	1.2	2.0	-	20 dB(A)	13 W	0.14 A	20 dB(A)	3 W	0.05 A	911 mm	20 kg
	max.	540	3.4	6.2	-	49 dB(A)	65 W	0.29 A	49 dB(A)	32 W	0.28 A		
3	min.	280	1.7	3.2	-	21 dB(A)	11 W	0.13 A	22 dB(A)	4 W	0.06 A	1,061 mm	25 kg
	max.	890	5.3	9.6	-	51 dB(A)	80 W	0.35 A	50 dB(A)	61 W	0.48 A		
4	min.	290	2.0	3.5	-	20 dB(A)	11 W	0.16 A	20 dB(A)	4 W	0.05 A	1,211 mm	29 kg
	max.	990	6.2	11.1	-	50 dB(A)	84 W	0.36 A	50 dB(A)	56 W	0.45 A		
5	min.	300	2.1	3.7	-	20 dB(A)	12 W	0.14 A	20 dB(A)	3 W	0.05 A	1,361 mm	32 kg
	max.	1,010	6.7	12.0	-	51 dB(A)	87 W	0.38 A	51 dB(A)	61 W	0.50 A		
6	min.	430	2.6	4.9	-	24 dB(A)	25 W	0.28 A	24 dB(A)	8 W	0.10 A	1,511 mm	38 kg
	max.	1,310	7.6	14.2	-	54 dB(A)	134 W	0.58 A	53 dB(A)	68 W	0.58 A		
7	min.	460	2.9	5.4	-	24 dB(A)	25 W	0.27 A	24 dB(A)	8 W	0.10 A	1,661 mm	42 kg
	max.	1,420	8.7	15.9	-	53 dB(A)	141 W	0.61 A	54 dB(A)	80 W	0.64 A		
8	min.	590	3.7	6.8	-	25 dB(A)	22 W	0.28 A	26 dB(A)	9 W	0.11 A	1,881 mm	47 kg
	max.	1,820	10.8	19.6	-	53 dB(A)	166 W	0.73 A	53 dB(A)	121 W	0.91 A		

Max. dimensions and weights of the Comfort unit casing

Model size	Width	Height	Depth	Weight	Wall or ceiling mounting (see page 7)
1	840 mm	504 mm 629 mm **	240 mm	8 kg	 <p>1</p> <p>Without unit foot casing</p>
2	990 mm	504 mm 629 mm **	240 mm	9 kg	
3	1,140 mm	504 mm 629 mm **	240 mm	10 kg	
4	1,290 mm	504 mm 629 mm **	240 mm	11 kg	
5	1,440 mm	504 mm 629 mm **	240 mm	12 kg	
6	1,590 mm	504 mm 629 mm **	240 mm	13 kg	
7	1,740 mm	504 mm 629 mm **	240 mm	14 kg	
8	1,890 mm	504 mm 629 mm **	240 mm	15 kg	



* Sound pressure levels at quarter-spherical radiation (directional factor 4), spacing to the acoustic source 3 m, room size 100 m³, reverberation time 0.5 sec.
Cooling capacity at room temperature 27 °C/46 % r.h., medium PCW 6/12 °C + heating capacity at room temperature 20 °C, medium PWW 70/50 °C
A special heat exchanger is available upon request for low heating medium temperatures or high refrigerant temperatures.
Additional technical information is provided in our detailed documentation "Data & Facts".

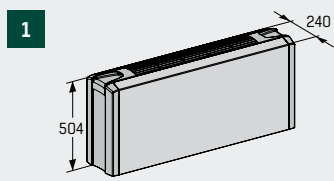
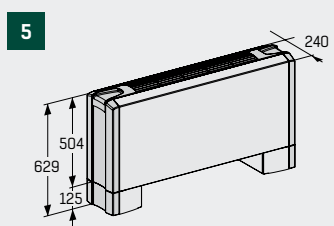
Recirculating air cooling and heating

Flex-Geko®

2-pipe system – chilled water / warm water Electric heating 1 ~ 230 V, 50 Hz

Model size	Speed	Air flow rate	Cooling capacity PCW	Heating capacity PWW	Electric heating	Sound pressure level* and motor capacity						Max. dimensions and weights without unit casing and without foot	
												Height	Depth
						471 mm	228 mm						
1 ... 8	2 ... 5	m³/h	kW	kW	kW	AC motor			EC motor			Width	Weight
1	min.	220	1.2	2.3	0.87	28 dB(A)	21 W	0.17 A	28 dB(A)	5 W	0.06 A	761 mm	17 kg
	max.	530	3,0	5.5	1.74	50 dB(A)	63 W	0.28 A	50 dB(A)	37 W	0.31 A		
2	min.	230	1.5	2.6	1.27	26 dB(A)	21 W	0.18 A	27 dB(A)	5 W	0.06 A	911 mm	20 kg
	max.	540	3.4	6.2	2.54	49 dB(A)	65 W	0.29 A	49 dB(A)	32 W	0.28 A		
3	min.	350	2.0	3.7	1.67	27 dB(A)	15 W	0.15 A	27 dB(A)	6 W	0.07 A	1.061 mm	25 kg
	max.	890	5.3	9.6	3.34	51 dB(A)	80 W	0.35 A	50 dB(A)	61 W	0.48 A		
4	min.	360	2.3	4.1	1.95	26 dB(A)	15 W	0.17 A	25 dB(A)	5 W	0.06 A	1.211 mm	29 kg
	max.	990	6.2	11.1	3.90	50 dB(A)	84 W	0.36 A	50 dB(A)	56 W	0.45 A		
5	min.	370	2.5	4.4	2.03	25 dB(A)	15 W	0.17 A	24 dB(A)	5 W	0.06 A	1.361 mm	32 kg
	max.	1.010	6.7	12.0	4.06	51 dB(A)	87 W	0.38 A	51 dB(A)	61 W	0.50 A		
6	min.	560	3.1	5.9	2.07	31 dB(A)	37 W	0.33 A	31 dB(A)	10 W	0.11 A	1.511 mm	38 kg
	max.	1.310	7.6	14.2	4.14	54 dB(A)	134 W	0.58 A	53 dB(A)	68 W	0.58 A		
7	min.	580	3.5	6.4	2.07	30 dB(A)	37 W	0.33 A	30 dB(A)	10 W	0.12 A	1.661 mm	42 kg
	max.	1.420	8.7	15.9	4.14	53 dB(A)	141 W	0.61 A	54 dB(A)	80 W	0.64 A		
8	min.	690	4.2	7.6	2.07	29 dB(A)	30 W	0.33 A	29 dB(A)	11 W	0.13 A	1.881 mm	47 kg
	max.	1.820	10.8	19.6	4.14	53 dB(A)	166 W	0.73 A	53 dB(A)	121 W	0.91 A		

Max. dimensions and weights of the Comfort unit casing

Model size	Width	Height	Depth	Weight	Wall or ceiling mounting (see page 7)
1	840 mm	504 mm 629 mm **	240 mm	8 kg	 <p>1</p> <p>Without unit foot casing</p>  <p>5</p> <p>** With unit foot casing</p>
2	990 mm	504 mm 629 mm **	240 mm	9 kg	
3	1,140 mm	504 mm 629 mm **	240 mm	10 kg	
4	1,290 mm	504 mm 629 mm **	240 mm	11 kg	
5	1,440 mm	504 mm 629 mm **	240 mm	12 kg	
6	1,590 mm	504 mm 629 mm **	240 mm	13 kg	
7	1,740 mm	504 mm 629 mm **	240 mm	14 kg	
8	1,890 mm	504 mm 629 mm **	240 mm	15 kg	

* Sound pressure levels at quarter-spherical radiation (directional factor 4), spacing to the acoustic source 3 m, room size 100 m³, reverberation time 0.5 sec.
Cooling capacity at room temperature 27 °C/46 % rh., medium PCW 6/12 °C • Heating capacity at room temperature 20 °C, medium PWW 70/50 °C and 1 - 230 V, 50 Hz
Additional technical information is provided in our detailed documentation "Data & Facts".

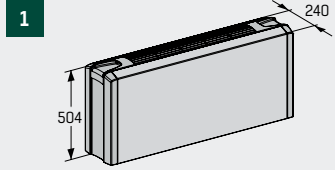
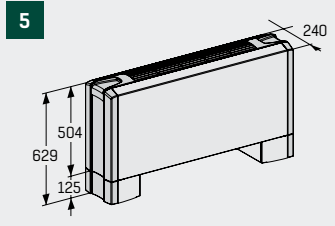
Recirculating air cooling and heating

Flex-Geko®

4-pipe system – chilled water / warm water

Model size	Speed	Air flow rate	Cooling capacity PCW	Heating capacity PWW	Electric heating	Sound pressure level* and motor capacity						Max. dimensions and weights without unit casing and without foot	
												Height	Depth
						471 mm	228 mm						
1 ... 8	1 ... 5	m³/h	kW	kW	-	AC motor			EC motor			Width	Weight
1	min.	145	0.9	0.6	-	21 dB(A)	14 W	0.14 A	20 dB(A)	4 W	0.05 A	761 mm	17 kg
	max.	525	2.3	1.7	-	50 dB(A)	63 W	0.28 A	50 dB(A)	37 W	0.31 A		
2	min.	155	1.0	1.0	-	20 dB(A)	13 W	0.14 A	20 dB(A)	3 W	0.05 A	911 mm	20 kg
	max.	535	3.0	2.2	-	49 dB(A)	65 W	0.29 A	49 dB(A)	32 W	0.28 A		
3	min.	275	1.8	1.7	-	21 dB(A)	11 W	0.13 A	22 dB(A)	4 W	0.06 A	1,061 mm	25 kg
	max.	880	4.3	3.3	-	51 dB(A)	80 W	0.35 A	50 dB(A)	61 W	0.48 A		
4	min.	285	2.0	1.2	-	20 dB(A)	11 W	0.16 A	20 dB(A)	4 W	0.05 A	1,211 mm	29 kg
	max.	980	5.2	4.0	-	50 dB(A)	84 W	0.36 A	50 dB(A)	56 W	0.45 A		
5	min.	295	2.0	2.1	-	20 dB(A)	12 W	0.14 A	20 dB(A)	3 W	0.05 A	1,361 mm	32 kg
	max.	1,000	5.8	4.5	-	51 dB(A)	87 W	0.38 A	51 dB(A)	61 W	0.50 A		
6	min.	425	2.8	2.9	-	24 dB(A)	25 W	0.28 A	24 dB(A)	8 W	0.10 A	1,511 mm	38 kg
	max.	1,295	6.4	5.1	-	54 dB(A)	134 W	0.58 A	53 dB(A)	68 W	0.58 A		
7	min.	455	3.2	3.2	-	24 dB(A)	25 W	0.27 A	24 dB(A)	8 W	0.10 A	1,661 mm	42 kg
	max.	1,405	7.4	5.8	-	53 dB(A)	141 W	0.61 A	54 dB(A)	80 W	0.64 A		
8	min.	575	3.9	3.9	-	25 dB(A)	22 W	0.28 A	25 dB(A)	9 W	0.11 A	1,881 mm	47 kg
	max.	1,800	9.1	7.0	-	53 dB(A)	166 W	0.73 A	53 dB(A)	121 W	0.91 A		

Max. dimensions and weights of the Comfort unit casing

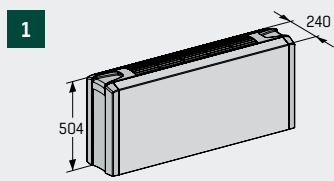
Model size	Width	Height	Depth	Weight	Wall or ceiling mounting (see page 7)
1	840 mm	504 mm 629 mm **	240 mm	8 kg	 <p>1</p> <p>Without unit foot casing</p>  <p>5</p> <p>** With unit foot casing</p>
2	990 mm	504 mm 629 mm **	240 mm	9 kg	
3	1,140 mm	504 mm 629 mm **	240 mm	10 kg	
4	1,290 mm	504 mm 629 mm **	240 mm	11 kg	
5	1,440 mm	504 mm 629 mm **	240 mm	12 kg	
6	1,590 mm	504 mm 629 mm **	240 mm	13 kg	
7	1,740 mm	504 mm 629 mm **	240 mm	14 kg	
8	1,890 mm	504 mm 629 mm **	240 mm	15 kg	

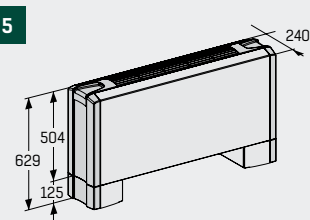
* Sound pressure levels at quarter-spherical radiation (directional factor 4), spacing to the acoustic source 3 m, room size 100 m³, reverberation time 0.5 sec.
Cooling capacity at room temperature 27 °C/46 % r.h., medium PCW 6/12 °C + heating capacity at room temperature 20 °C, medium PWW 70 / 50 °C
A special heat exchanger is available upon request for low heating medium temperatures or high refrigerant temperatures.
Additional technical information is provided in our detailed documentation "Data & Facts".

Direct expansion coil / warm water

Model size	Speed	Air flow rate	Cooling capacity DV	Heating capacity PWW	Refrigerant R410A	Sound pressure level* and motor capacity						Max. dimensions and weights without unit casing and without foot	
						AC motor			EC motor			Height	Depth
						1 ... 8	3 ... 5	m³/h	kW	kW	t ₀	AC motor	EC motor
												471 mm	228 mm
1	min. max.	270 525	1.0 1.3	1.0 1.4	10 °C	34 dB(A) 51 dB(A)	50 W 63 W	0.23 A 0.28 A	32 dB(A) 49 dB(A)	8 W 37 W	0.08 A 0.31 A	761 mm	17 kg
2	min. max.	280 535	1.1 1.6	1.4 2.0	10 °C	34 dB(A) 51 dB(A)	52 W 65 W	0.24 A 0.29 A	32 dB(A) 48 dB(A)	7 W 32 W	0.07 A 0.28 A	911 mm	20 kg
3	min. max.	465 880	1.8 2.6	2.2 3.1	10 °C	34 dB(A) 51 dB(A)	47 W 80 W	0.22 A 0.35 A	34 dB(A) 50 dB(A)	11 W 61 W	0.10 A 0.48 A	1,061 mm	25 kg
4	min. max.	485 980	1.9 2.7	2.6 3.7	10 °C	32 dB(A) 50 dB(A)	47 W 84 W	0.25 A 0.36 A	32 dB(A) 50 dB(A)	8 W 56 W	0.09 A 0.45 A	1,211 mm	29 kg
5	min. max.	515 1,000	2.1 3.0	3.0 4.2	10 °C	33 dB(A) 51 dB(A)	53 W 87 W	0.24 A 0.38 A	32 dB(A) 50 dB(A)	9 W 61 W	0.09 A 0.50 A	1,361 mm	32 kg
6	min. max.	745 1,295	2.8 3.9	4.0 5.3	10 °C	38 dB(A) 54 dB(A)	99 W 134 W	0.48 A 0.58 A	37 dB(A) 52 dB(A)	16 W 68 W	0.17 A 0.58 A	1,511 mm	38 kg
7	min. max.	765 1,405	3.1 4.6	4.3 5.9	10 °C	39 dB(A) 53 dB(A)	100 W 141 W	0.46 A 0.61 A	36 dB(A) 53 dB(A)	17 W 80 W	0.17 A 0.64 A	1,661 mm	42 kg
8	min. max.	955 1,800	3.5 4.9	5.2 7.2	10 °C	39 dB(A) 53 dB(A)	99 W 166 W	0.46 A 0.73 A	37 dB(A) 52 dB(A)	21 W 121 W	0.21 A 0.91 A	1,881 mm	47 kg

Max. dimensions and weights of the Comfort unit casing

Model size	Width	Height	Depth	Weight	Wall or ceiling mounting (see page 7)
1	840 mm	504 mm 629 mm **	240 mm	8 kg	 <p>1</p> <p>Without unit foot casing</p>
2	990 mm	504 mm 629 mm **	240 mm	9 kg	
3	1,140 mm	504 mm 629 mm **	240 mm	10 kg	
4	1,290 mm	504 mm 629 mm **	240 mm	11 kg	
5	1,440 mm	504 mm 629 mm **	240 mm	12 kg	
6	1,590 mm	504 mm 629 mm **	240 mm	13 kg	
7	1,740 mm	504 mm 629 mm **	240 mm	14 kg	
8	1,890 mm	504 mm 629 mm **	240 mm	15 kg	



* Sound pressure levels at quarter-spherical radiation (directional factor 4), spacing to the acoustic source 3 m, room size 100 m³, reverberation time 0.5 sec.
Cooling capacities at room temperature 27 °C/46 % r.h., medium refrigerant R410A - t₀ = 10 °C • heating capacity at room temperature 20 °C, medium PWW 70/50 °C
Additional technical information is provided in our detailed documentation "Data & Facts".

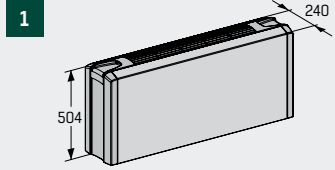
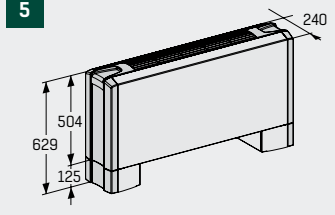
Recirculating air cooling

Flex-Geko®

Direct evaporator

Model size	Speed	Air flow rate	Cooling capacity DV	Heating capacity PWW	Refrigerant R410A	Sound pressure level* and motor capacity						Max. dimensions and weights without unit casing and without foot	
												Height	Depth
						471 mm	228 mm						
1 ... 8	3 ... 5	m³/h	kW	-	t ₀	AC motor			EC motor			Width	Weight
1	min.	270	1.2	-	10 °C	33 dB(A)	50 W	0.23 A	33 dB(A)	8 W	0.08 A	761 mm	17 kg
	max.	530	1.7	-	10 °C	50 dB(A)	63 W	0.28 A	50 dB(A)	37 W	0.31 A		
2	min.	280	1.4	-	10 °C	33 dB(A)	52 W	0.24 A	32 dB(A)	7 W	0.07 A	911 mm	20 kg
	max.	540	2.3	-	10 °C	49 dB(A)	65 W	0.29 A	49 dB(A)	32 W	0.28 A		
3	min.	470	2.5	-	10 °C	34 dB(A)	47 W	0.22 A	34 dB(A)	11 W	0.10 A	1,061 mm	25 kg
	max.	890	3.7	-	10 °C	51 dB(A)	80 W	0.35 A	50 dB(A)	61 W	0.48 A		
4	min.	490	2.4	-	10 °C	32 dB(A)	47 W	0.25 A	33 dB(A)	8 W	0.09 A	1,211 mm	29 kg
	max.	990	3.6	-	10 °C	50 dB(A)	84 W	0.36 A	50 dB(A)	56 W	0.45 A		
5	min.	520	2.6	-	10 °C	34 dB(A)	53 W	0.24 A	33 dB(A)	9 W	0.09 A	1,361 mm	32 kg
	max.	1,010	4.2	-	10 °C	51 dB(A)	87 W	0.38 A	51 dB(A)	61 W	0.50 A		
6	min.	750	3.8	-	10 °C	38 dB(A)	99 W	0.48 A	38 dB(A)	16 W	0.17 A	1,511 mm	38 kg
	max.	1,310	5.6	-	10 °C	54 dB(A)	134 W	0.58 A	53 dB(A)	68 W	0.58 A		
7	min.	770	4.2	-	10 °C	38 dB(A)	100 W	0.46 A	37 dB(A)	17 W	0.17 A	1,661 mm	42 kg
	max.	1,420	6.4	-	10 °C	53 dB(A)	141 W	0.61 A	54 dB(A)	80 W	0.64 A		
8	min.	970	4.6	-	10 °C	37 dB(A)	99 W	0.46 A	37 dB(A)	21 W	0.21 A	1,881 mm	47 kg
	max.	1,820	7.1	-	10 °C	53 dB(A)	166 W	0.73 A	53 dB(A)	121 W	0.91 A		

Max. dimensions and weights of the Comfort unit casing

Model size	Width	Height	Depth	Weight	Wall or ceiling mounting (see page 7)
1	840 mm	504 mm 629 mm **	240 mm	8 kg	 <p>1</p> <p>Without unit foot casing</p>  <p>5</p> <p>** With unit foot casing</p>
2	990 mm	504 mm 629 mm **	240 mm	9 kg	
3	1,140 mm	504 mm 629 mm **	240 mm	10 kg	
4	1,290 mm	504 mm 629 mm **	240 mm	11 kg	
5	1,440 mm	504 mm 629 mm **	240 mm	12 kg	
6	1,590 mm	504 mm 629 mm **	240 mm	13 kg	
7	1,740 mm	504 mm 629 mm **	240 mm	14 kg	
8	1,890 mm	504 mm 629 mm **	240 mm	15 kg	

* Sound pressure levels at quarter-spherical radiation (directional factor 4), spacing to the acoustic source 3 m, room size 100 m³, reverberation time 0.5 sec.
Cooling capacities at room temperature 27 °C/46 % rh., medium refrigerant R410A - 10 = 10 °C • heating capacity at room temperature 20 °C, medium PWW 70/50 °C
Additional technical information is provided in our detailed documentation "Data & Facts".

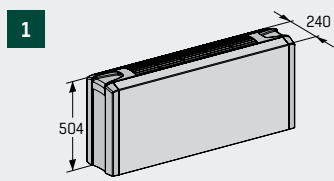
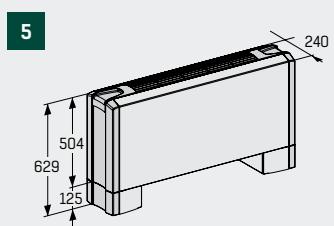
Recirculating air heating

Flex-Geko®

Electric full heating system 3 ~ 400 V, 50 Hz

Model size	Speed	Air flow rate	Cooling capacity PCW	Heating capacity PCW	Electric heating	Sound pressure level* and motor capacity						Max. dimensions and weights without unit casing and without foot	
												Height	Depth
						471 mm	228 mm						
1 ... 8	3 ... 5	m³/h	-	-	kW	AC motor			EC motor			Width	Weight
1	min.	270	-	-	2.07	33 dB(A)	50 W	0.23 A	-	-	-	761 mm	17 kg
	max.	530			4.14	50 dB(A)	63 W	0.28 A					
2	min.	280	-	-	2.52	33 dB(A)	52 W	0.24 A	-	-	-	911 mm	20 kg
	max.	540			5.04	49 dB(A)	65 W	0.29 A					
3	min.	470	-	-	3.69	34 dB(A)	47 W	0.22 A	-	-	-	1.061 mm	25 kg
	max.	890			7.38	51 dB(A)	80 W	0.35 A					
4	min.	490	-	-	4.20	32 dB(A)	47 W	0.25 A	-	-	-	1.211 mm	29 kg
	max.	990			8.40	50 dB(A)	84 W	0.36 A					
5	min.	520	-	-	4.89	34 dB(A)	53 W	0.24 A	-	-	-	1.361 mm	32 kg
	max.	1,010			9.78	51 dB(A)	87 W	0.38 A					
6	min.	750	-	-	4.98	38 dB(A)	99 W	0.48 A	-	-	-	1.511 mm	38 kg
	max.	1,310			9.96	54 dB(A)	134 W	0.58 A					
7	min.	770	-	-	6.18	38 dB(A)	100 W	0.46 A	-	-	-	1.661 mm	42 kg
	max.	1,420			12.36	53 dB(A)	141 W	0.61 A					
8	min.	970	-	-	6.18	37 dB(A)	99 W	0.46 A	-	-	-	1.881 mm	47 kg
	max.	1,820			12.36	53 dB(A)	166 W	0.73 A					

Max. dimensions and weights of the Comfort unit casing

Model size	Width	Height	Depth	Weight	Wall or ceiling mounting (see page 7)
1	840 mm	504 mm 629 mm **	240 mm	8 kg	 <p>1</p> <p>Without unit foot casing</p>  <p>5</p> <p>** With unit foot casing</p>
2	990 mm	504 mm 629 mm **	240 mm	9 kg	
3	1,140 mm	504 mm 629 mm **	240 mm	10 kg	
4	1,290 mm	504 mm 629 mm **	240 mm	11 kg	
5	1,440 mm	504 mm 629 mm **	240 mm	12 kg	
6	1,590 mm	504 mm 629 mm **	240 mm	13 kg	
7	1,740 mm	504 mm 629 mm **	240 mm	14 kg	
8	1,890 mm	504 mm 629 mm **	240 mm	15 kg	

* Sound pressure levels at quarter-spherical radiation (directional factor 4), spacing to the acoustic source 3 m, room size 100 m³, reverberation time 0.5 sec.
Heating capacity at room temperature 20 °C, medium 3 - 400 V, 50 Hz
Additional technical information is provided in our detailed documentation "Data & Facts".

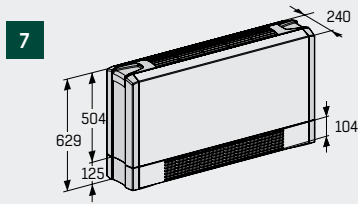
Mixed air cooling or heating

Flex-Geko®

2-pipe system – chilled water / warm water

Model size	Speed	Air flow rate	Cooling capacity PCW	Heating capacity PWW	Electric heating	Sound pressure level* and motor capacity						Max. dimensions and weights without unit casing and without foot	
												Height	Depth
						1 ... 8	1 ... 5	m³/h	kW	kW	-	AC motor	
						21 dB(A) 50 dB(A)	14 W 63 W	0.14 A 0.28 A	21 dB(A) 50 dB(A)	4 W 37 W	0.05 A 0.31 A	596 mm	228 mm
1	min. max.	145 495	0.9 2.8	2.1 6.6	-	21 dB(A) 50 dB(A)	14 W 63 W	0.14 A 0.28 A	21 dB(A) 50 dB(A)	4 W 37 W	0.05 A 0.31 A	761 mm	18 kg
2	min. max.	150 520	1.1 3.3	2.4 7.6	-	20 dB(A) 49 dB(A)	13 W 65 W	0.14 A 0.29 A	20 dB(A) 49 dB(A)	3 W 32 W	0.05 A 0.28 A	911 mm	22 kg
3	min. max.	255 805	1.6 5.0	3.7 11.3	-	21 dB(A) 51 dB(A)	11 W 80 W	0.13 A 0.35 A	22 dB(A) 50 dB(A)	4 W 61 W	0.06 A 0.48 A	1,061 mm	27 kg
4	min. max.	270 915	1.9 5.9	4.1 13.2	-	20 dB(A) 50 dB(A)	11 W 84 W	0.16 A 0.36 A	22 dB(A) 50 dB(A)	4 W 56 W	0.05 A 0.45 A	1,211 mm	32 kg
5	min. max.	280 950	2.1 6.5	4.5 14.3	-	20 dB(A) 51 dB(A)	12 W 87 W	0.14 A 0.38 A	20 dB(A) 51 dB(A)	3 W 61 W	0.05 A 0.50 A	1,361 mm	36 kg
6	min. max.	410 1,210	2.5 7.2	6.0 17.0	-	24 dB(A) 54 dB(A)	25 W 134 W	0.28 A 0.58 A	26 dB(A) 54 dB(A)	8 W 68 W	0.10 A 0.58 A	1,511 mm	42 kg
7	min. max.	435 1,320	2.8 8.3	6.5 19.1	-	24 dB(A) 53 dB(A)	25 W 141 W	0.27 A 0.61 A	26 dB(A) 54 dB(A)	8 W 80 W	0.10 A 0.64 A	1,661 mm	46 kg
8	min. max.	530 1,640	3.5 10.2	7.9 23.0	-	25 dB(A) 53 dB(A)	22 W 166 W	0.28 A 0.73 A	25 dB(A) 53 dB(A)	9 W 121 W	0.11 A 0.91 A	1,881 mm	52 kg

Max. dimensions and weights of the Comfort unit casing

Model size	Width	Height	Depth	Weight	Wall or ceiling mounting (see page 7)
1	840 mm	629 mm	240 mm	9 kg	 <p>7</p> <p>Air outlet above</p>
2	990 mm	629 mm	240 mm	10 kg	
3	1,140 mm	629 mm	240 mm	11 kg	
4	1,290 mm	629 mm	240 mm	12 kg	
5	1,440 mm	629 mm	240 mm	13 kg	
6	1,590 mm	629 mm	240 mm	14 kg	
7	1,740 mm	629 mm	240 mm	15 kg	
8	1,890 mm	629 mm	240 mm	16 kg	

* Sound pressure levels at quarter-spherical radiation (directional factor 4), spacing to the acoustic source 3 m, room size 100 m³, reverberation time 0.5 sec.
Cooling capacity at room temperature 27 °C/46% rh., medium PCW 6/12 °C • thermal output at air intake temperature 10 °C, medium PWW 70/50 °C
A special heat exchanger is available upon request for low heating medium temperatures or high refrigerant temperatures.
Additional technical information is provided in our detailed documentation "Data & Facts".

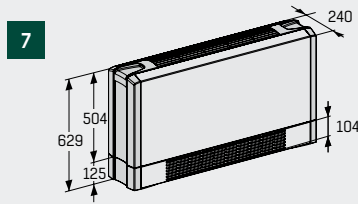
Mixed air cooling or heating

Flex-Geko®

4-pipe system – chilled water / warm water

Model size	Speed	Air flow rate	Cooling capacity PCW	Heating capacity PWW	Electric heating	Sound pressure level* and motor capacity						Max. dimensions and weights without unit casing and without foot	
												Height	Depth
						596 mm	228 mm						
1 ... 8	1 ... 5	m³/h	kW	kW	–	AC motor			EC motor			Width	Weight
1	min.	145	0.9	1.0	–	21 dB(A)	14 W	0.14 A	21 dB(A)	4 W	0.05 A	761 mm	18 kg
	max.	490	2.2	2.1	–	50 dB(A)	63 W	0.28 A	50 dB(A)	37 W	0.31 A		
2	min.	180	1.0	1.3	–	20 dB(A)	13 W	0.14 A	20 dB(A)	3 W	0.05 A	911 mm	22 kg
	max.	515	2.9	2.8	–	49 dB(A)	65 W	0.29 A	49 dB(A)	32 W	0.28 A		
3	min.	250	1.7	2.1	–	21 dB(A)	11 W	0.13 A	22 dB(A)	4 W	0.06 A	1.061 mm	27 kg
	max.	800	4.1	4.1	–	51 dB(A)	80 W	0.35 A	50 dB(A)	61 W	0.48 A		
4	min.	270	1.9	2.4	–	20 dB(A)	11 W	0.16 A	22 dB(A)	4 W	0.05 A	1.211 mm	32 kg
	max.	910	5.0	4.9	–	50 dB(A)	84 W	0.36 A	51 dB(A)	56 W	0.45 A		
5	min.	280	1.9	2.7	–	20 dB(A)	12 W	0.14 A	21 dB(A)	3 W	0.05 A	1.361 mm	36 kg
	max.	945	5.6	5.6	–	51 dB(A)	87 W	0.38 A	51 dB(A)	61 W	0.50 A		
6	min.	405	2.8	3.6	–	24 dB(A)	25 W	0.28 A	26 dB(A)	8 W	0.10 A	1.511 mm	42 kg
	max.	1,200	6.1	6.3	–	54 dB(A)	134 W	0.58 A	54 dB(A)	68 W	0.58 A		
7	min.	430	3.0	4.0	–	24 dB(A)	25 W	0.27 A	26 dB(A)	8 W	0.10 A	1.661 mm	46 kg
	max.	1,310	7.1	7.2	–	53 dB(A)	141 W	0.61 A	55 dB(A)	80 W	0.64 A		
8	min.	525	3.7	4.7	–	25 dB(A)	22 W	0.28 A	26 dB(A)	9 W	0.11 A	1.881 mm	52 kg
	max.	1,625	8.6	8.5	–	53 dB(A)	166 W	0.73 A	53 dB(A)	121 W	0.91 A		

Max. dimensions and weights of the Comfort unit casing

Model size	Width	Height	Depth	Weight	Wall or ceiling mounting (see page 7)
1	840 mm	629 mm	240 mm	9 kg	 <p>7</p> <p>Air outlet above</p>
2	990 mm	629 mm	240 mm	10 kg	
3	1.140 mm	629 mm	240 mm	11 kg	
4	1,290 mm	629 mm	240 mm	12 kg	
5	1,440 mm	629 mm	240 mm	13 kg	
6	1,590 mm	629 mm	240 mm	14 kg	
7	1,740 mm	629 mm	240 mm	15 kg	
8	1,890 mm	629 mm	240 mm	16 kg	

* Sound pressure levels at quarter-spherical radiation (directional factor 4), spacing to the acoustic source 3 m, room size 100 m³, reverberation time 0.5 sec.
Cooling capacity at room temperature 27 °C/46% r.h., medium PCW 6/12 °C - thermal output at air intake temperature 10 °C, medium PWW 70/50 °C
A special heat exchanger is available upon request for low heating medium temperatures or high refrigerant temperatures.
Additional technical information is provided in our detailed documentation "Data & Facts".

Mixed air cooling and heating

Flex-Geko®

Direct expansion coil / warm water

Model size	Speed	Air flow rate	Cooling capacity DV	Heating capacity PWW	Refrigerant R410A	Sound pressure level* and motor capacity						Max. dimensions and weights without unit casing and without foot	
												Height	Depth
						1 ... 8	3 ... 5	m³/h	kW	kW	t ₀	AC motor	
1	min.	265	0.9	1.4	10 °C	33 dB(A)	14 W	0.14 A	35 dB(A)	4 W	0.05 A	761 mm	18 kg
	max.	490	1.3	1.9		50 dB(A)	63 W	0.28 A	50 dB(A)	37 W	0.31 A		
2	min.	275	1.1	1.9	10 °C	33 dB(A)	13 W	0.14 A	34 dB(A)	3 W	0.05 A	911 mm	22 kg
	max.	515	1.5	2.6		49 dB(A)	65 W	0.29 A	50 dB(A)	32 W	0.28 A		
3	min.	430	1.7	2.8	10 °C	34 dB(A)	11 W	0.13 A	35 dB(A)	4 W	0.06 A	1.061 mm	27 kg
	max.	800	2.5	3.8		51 dB(A)	80 W	0.35 A	50 dB(A)	61 W	0.48 A		
4	min.	460	1.9	3.3	10 °C	32 dB(A)	11 W	0.16 A	34 dB(A)	4 W	0.05 A	1.211 mm	32 kg
	max.	910	2.6	4.7		50 dB(A)	84 W	0.36 A	51 dB(A)	56 W	0.45 A		
5	min.	490	2.1	3.8	10 °C	34 dB(A)	12 W	0.14 A	34 dB(A)	3 W	0.05 A	1.361 mm	36 kg
	max.	945	2.9	5.3		51 dB(A)	87 W	0.38 A	51 dB(A)	61 W	0.50 A		
6	min.	715	2.7	5.0	10 °C	38 dB(A)	25 W	0.28 A	40 dB(A)	8 W	0.10 A	1.511 mm	42 kg
	max.	1,200	3.7	6.5		54 dB(A)	134 W	0.58 A	54 dB(A)	68 W	0.58 A		
7	min.	735	3.0	5.5	10 °C	38 dB(A)	25 W	0.27 A	39 dB(A)	8 W	0.10 A	1.661 mm	46 kg
	max.	1,310	4.4	7.3		53 dB(A)	141 W	0.61 A	55 dB(A)	80 W	0.64 A		
8	min.	880	3.4	6.4	10 °C	37 dB(A)	22 W	0.28 A	38 dB(A)	9 W	0.11 A	1.881 mm	52 kg
	max.	1,625	4.7	7.7		53 dB(A)	166 W	0.73 A	53 dB(A)	121 W	0.91 A		

Max. dimensions and weights of the Comfort unit casing

Model size	Width	Height	Depth	Weight	Wall or ceiling mounting (see page 7)
1	840 mm	629 mm	240 mm	9 kg	<div data-bbox="981 1422 1348 1668"> <p>7</p> <p>Air outlet above</p> </div> <div data-bbox="981 1713 1348 1960"> <p>8</p> <p>Air outlet in front</p> </div>
2	990 mm	629 mm	240 mm	10 kg	
3	1,140 mm	629 mm	240 mm	11 kg	
4	1,290 mm	629 mm	240 mm	12 kg	
5	1,440 mm	629 mm	240 mm	13 kg	
6	1,590 mm	629 mm	240 mm	14 kg	
7	1,740 mm	629 mm	240 mm	15 kg	
8	1,890 mm	629 mm	240 mm	16 kg	

* Sound pressure levels at quarter-spherical radiation (directional factor 4), spacing to the acoustic source 3 m, room size 100 m³, reverberation time 0.5 sec.
Cooling capacity at room temperature 27 °C/46% rh., medium refrigerant R410A - t₀ = 10 °C • heating capacity at air intake temperature 10 °C, medium PWW 70/50 °C
A special heat exchanger is available upon request for low heating medium temperatures or high refrigerant temperatures.
Additional technical information is provided in our detailed documentation "Data & Facts".

Mixed air heating

Flex-Geko®

Electric full heating system 3 ~ 400 V, 50 Hz

Model size	Speed	Air flow rate	Cooling capacity PCW	Heating capacity PCW	Electric heating	Sound pressure level* and motor capacity						Max. dimensions and weights without unit casing and without foot	
												Height	Depth
						596 mm	228 mm						
1 ... 8	3 ... 5	m³/h	-	-	kW	AC motor			EC motor			Width	Weight
1	min. max.	265 495	-	-	2.07 4.14	33 dB(A) 50 dB(A)	14 W 63 W	0.14 A 0.28 A	-	-	-	761 mm	18 kg
2	min. max.	275 520	-	-	2.52 5.04	33 dB(A) 49 dB(A)	13 W 65 W	0.14 A 0.29 A	-	-	-	911 mm	22 kg
3	min. max.	435 805	-	-	3.69 7.38	34 dB(A) 51 dB(A)	11 W 80 W	0.13 A 0.35 A	-	-	-	1.061 mm	27 kg
4	min. max.	460 915	-	-	4.20 8.40	32 dB(A) 50 dB(A)	11 W 84 W	0.16 A 0.36 A	-	-	-	1.211 mm	32 kg
5	min. max.	475 950	-	-	4.89 9.78	34 dB(A) 51 dB(A)	12 W 87 W	0.14 A 0.38 A	-	-	-	1.361 mm	36 kg
6	min. max.	715 1,210	-	-	4.98 9.96	38 dB(A) 54 dB(A)	25 W 134 W	0.28 A 0.58 A	-	-	-	1.511 mm	42 kg
7	min. max.	735 1,320	-	-	6.18 12.36	38 dB(A) 53 dB(A)	25 W 141 W	0.27 A 0.61 A	-	-	-	1.661 mm	46 kg
8	min. max.	885 1,640	-	-	6.18 12.36	37 dB(A) 53 dB(A)	22 W 166 W	0.28 A 0.73 A	-	-	-	1.881 mm	52 kg

Max. dimensions and weights of the Comfort unit casing

Model size	Width	Height	Depth	Weight	Wall or ceiling mounting (see page 7)
1	840 mm	629 mm	240 mm	9 kg	<div data-bbox="1018 1429 1385 1624"> </div> <p>7</p> <p>Air outlet above</p> <div data-bbox="1018 1713 1396 1908"> </div> <p>8</p> <p>Air outlet in front</p>
2	990 mm	629 mm	240 mm	10 kg	
3	1,140 mm	629 mm	240 mm	11 kg	
4	1,290 mm	629 mm	240 mm	12 kg	
5	1,440 mm	629 mm	240 mm	13 kg	
6	1,590 mm	629 mm	240 mm	14 kg	
7	1,740 mm	629 mm	240 mm	15 kg	
8	1,890 mm	629 mm	240 mm	16 kg	

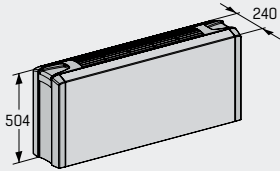
* Sound pressure levels at quarter-spherical radiation (directional factor 4), spacing to the acoustic source 3 m, room size 100 m³, reverberation time 0.5 sec. Thermal output at air intake temperature 10 °C, medium 3 - 400 V, 50 Hz. Additional technical information is provided in our detailed documentation "Data & Facts".



Comfort unit casings and dimensions

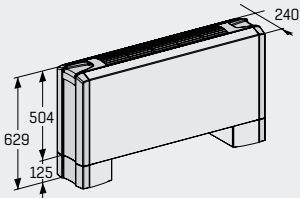
Recirculating air – wall unit (see page 7)

1



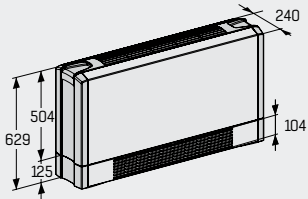
Without foot – without air intake grille

5



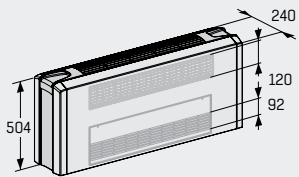
With foot – without air intake grille

7



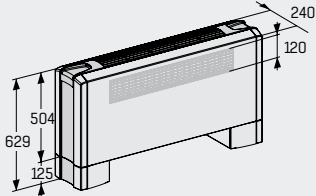
With foot – with air intake grille

4



Without foot – with air intake grille in the housing

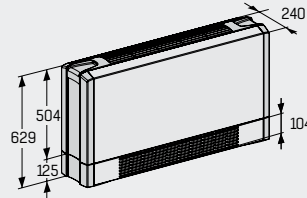
6



With foot – without air intake grille

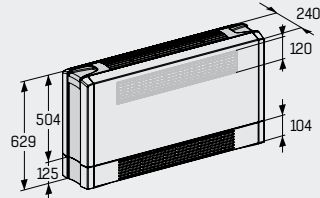
Mixed air – wall unit (see page 7)

7



With foot – with air intake grille air outlet front face

8



With foot – with air intake grille Air outlet front side

Enclosures without unit leveling feet

Flex-Geko®

Enclosures without unit leveling feet

Intake/discharge models Wall and ceiling version			Recirculating air	Disch. grille Plastic	Disch. grille Aluminium
Comfort	Presentation see page 7			adjustable	not adjustable
Intake front face discharge front face	1		■	■	■
Intake front face discharge front side	2		■	■	
Intake front side discharge front face	3		■	■	■
Intake front side discharge front side	4		■	■	
Intake front side discharge front face with cladding	3		■	■	■
Intake front side discharge front face with back wall	3		■	■	■

Enclosures with unit leveling feet

Intake/discharge models Wall and ceiling version		Mixed air	Recirculating air	Disch. grille Plastic	Disch. grille Aluminium
Comfort	Presentation see page 7			adjustable	not adjustable
Intake front side Discharge front face Without air intake grille	5		■	■	■
Intake front side Discharge front side Without air intake grille	6		■	■	
Intake front side Discharge front face With air intake grille	7	■	■	■	■
Intake front side Discharge front side With air intake grille	8	■	■	■	

Suction side | wall and ceiling version

Comfort	
Air intake plenum with primary air connection	■
Air intake plenum with round intake fitting	■
Seal cap DN 200 for round connector	■
Air intake bend	■
Intake flexible canvas connector	■
Transition piece for intake flexible connector	■
Intake telescope connector	■
Intake sound attenuator for recirculating-air units	■
Intake sound attenuator for mixed-air units	■
Wall-recessed frame for fresh-air connector	■
External weather-protection grille, painted RAL 9002	■
Wall-recessed frame for external protection grille	■
G1 spare filter	■
Spare filter G2, G3	■

Pressure side | wall and ceiling version

Comfort	
Discharge plenum with primary connector, not insulated	■
Discharge plenum with primary air connector, insulated	■
Discharge plenum, round discharge connector, not insulated	■
Discharge plenum, round discharge connector, insulated	■
Seal cap DN 200 for round connector	■
Air-exhaust bend, not insulated	■
Air-exhaust bend, insulated	■
Flexible canvas discharge connector	■
Telescope discharge connector	■
Discharge sound attenuator connector	■



First Service Always at your side



Our services at a glance

- Use of certified products and components
- Use of components from well-known component manufacturers
- Short delivery times for spare parts
- Commissioning of new facilities
- Periodic servicing
- Maintenance
- Factory trial run
- Upgrading and optimisation of old facilities
- Maintenance agreements

- 
- Initial installation
 - Maintenance and servicing
 - Assembly services
 - Spare parts
 - Customer service
 - Consulting
 - Refurbishing
 - Training



Economical from the beginning

The technical developments of FläktGroup represent state-of-the-art swimming pool climate control. Our systems support diverse applications that optimally conform to current criteria of cost effectiveness, safety and sustainability. Our products and services go far beyond pure technology. They are integrated into a comprehensive and in every respect customised service package. This programme includes not only conventional services such as spare part delivery, maintenance, and repair. It unites the consulting and engineering of a technology leader with customised after-sales service and rapid response times. And this not only for installing new equipment. This service also applies for upgrading and optimising old equipment and provides you with perfect support in all project phases. The functionality of the system is secured over its entire service life.

International service und support in experienced hands

Wherever you need us, we will be there for you in the shortest time. All over Europe, our own customer service ensures that you are able to make optimal use of our units' advantages at all times. Many tech-

nicians are ready on-call in Germany alone for rapid deployment. All services are designed for absolute safety and reliability. For example, an on-site function check is a part of our delivery service, conducted by an experienced FläktGroup technician together with the installer. This way we directly and personally pass on our functional know-how built up over many years. In this context we should also mention the training we offer in the technology of our climate control systems. Such training is a beneficial instrument for ensuring the lasting functionality and availability of the systems.

A decision for quality

A high quality standard is the basis and principle for all our services. All our service specialists are highly experienced and devote themselves to their work with great diligence. Technically and personally convincing: this is what you can expect from us.

EXCELLENCE IN SOLUTIONS

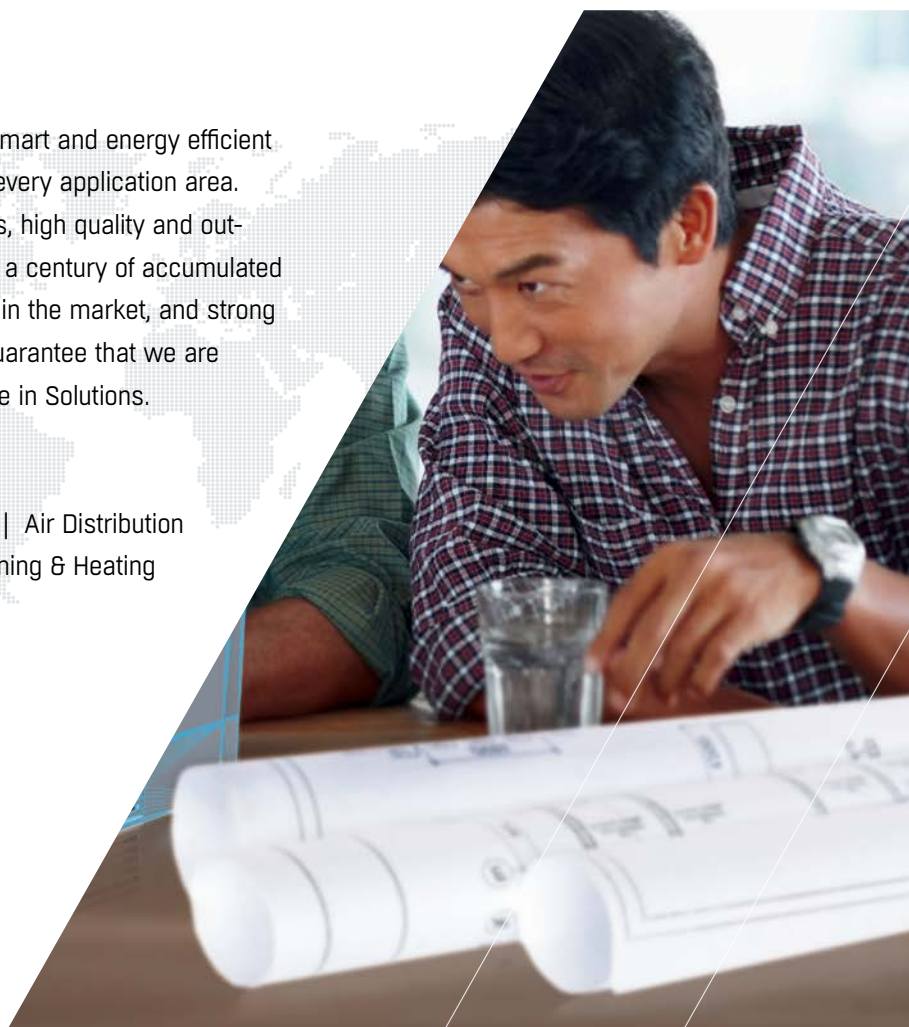
WWW.FLAKTGROUP.COM

FLEX-GEKO COMFORT EDITION

FläktGroup is the European market leader for smart and energy efficient Indoor Air and Critical Air solutions to support every application area. We offer our customers innovative technologies, high quality and outstanding performance supported by more than a century of accumulated industry experience. The widest product range in the market, and strong market presence in 65 countries worldwide, guarantee that we are always by your side, ready to deliver Excellence in Solutions.

PRODUCT FUNCTIONS BY FLÄKTGROUP

Air Treatment | Air Movement | Air Diffusion | Air Distribution
Air Filtration | Air Management | Air Conditioning & Heating
Controls | Service



» Learn more on www.flaktgroup.com
or contact one of our offices